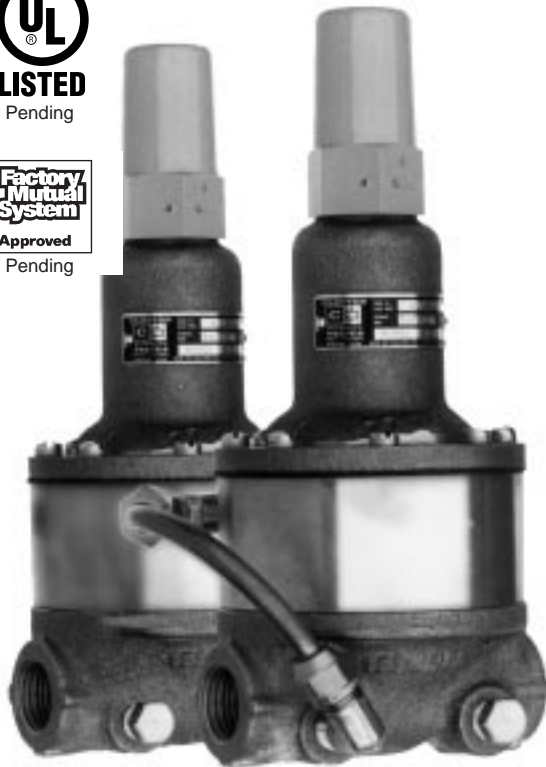


Pressure Relief Valves



- Direct Acting - Precise Pressure Control
- Positive Dependable Opening
- Drip Tight Closure
- No Packing Glands or Stuffing Boxes
- Sensitive to Small Pressure Variations

The Cla-Val Model CRL and 55F Pressure Relief Valves are direct-acting, spring loaded, diaphragm type relief valves. Often used as pilot controls for Cla-Val hytrol valves, they can also be used as self-contained pressure relief valves. These valves may be installed in any position and open and close within very close pressure limits.

The Model CRL & 55F are normally held closed by the force of the compression spring above the diaphragm; control pressure is applied under the diaphragm. When the controlling pressure exceeds the spring setting, the disc is lifted off its seat, permitting flow through the control. When control pressure drops below the spring setting, the spring forces the control back to its normally closed position. The controlling pressure is applied to the chamber beneath the diaphragm through an external tube on the 55F model and a sensing port on the CRL.

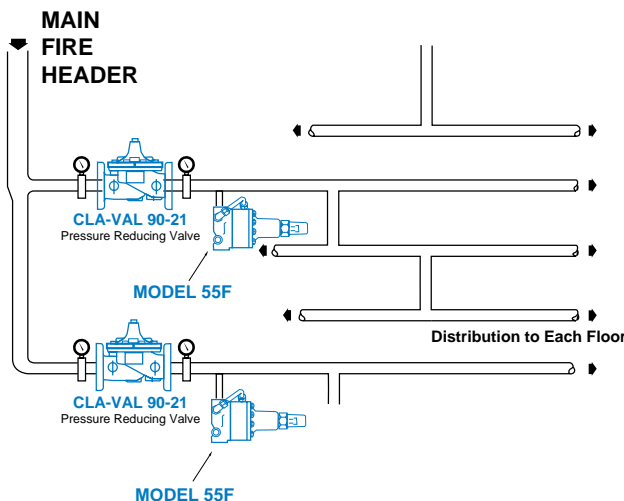
Pressure adjustment is simply a matter of turning the adjusting screw to vary the spring pressure on the diaphragm. The CRL & 55F are available in three pressure ranges; 0 to 75 psi, 20 to 200 psi, and 100 to 300 psi. To prevent tampering, the adjustment cap can be wire sealed by using the lock wire holes provided in the cap and cover.

Note: Also Available in Seawater Service Material

Typical Applications

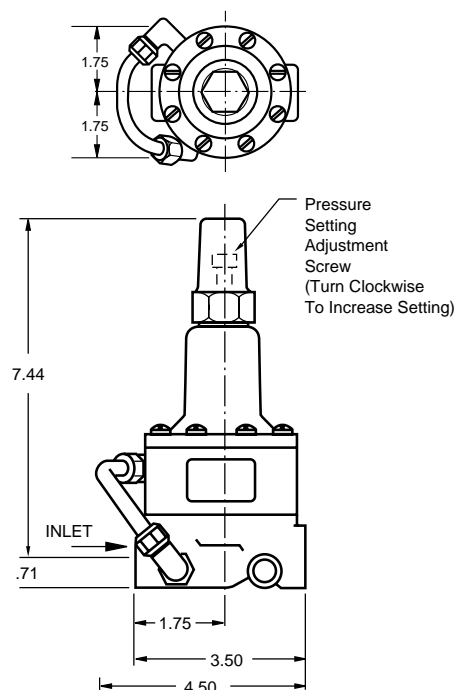
Fire Protection System Service

Using the Model 55F in a fire protection system or other closed type system, prevents pressure build-up whenever line pressure exceeds the setting of the spring. The valve will relieve excess pressure to atmosphere preventing damage to the distribution network.



Dimensions (In Inches)

55F Model



Specifications

Size 1/2" & 3/4" screwed
Temperature Range Water, Air: to 180°F Max.
Materials

Body & Cover: Cast Bronze ASTM B62
 Cast Aluminum 356-T6
 Stainless Steel ASTM A743C7-167A
 Trim: Brass & Stainless Steel 303
 Rubber: Buna-N® Synthetic Rubber

Pressure Ratings Cast Bronze 400 psi Max.
 Cast Aluminum 275 psi Max.
 Stainless steel 400 psi Max.

Other Materials Available on special order

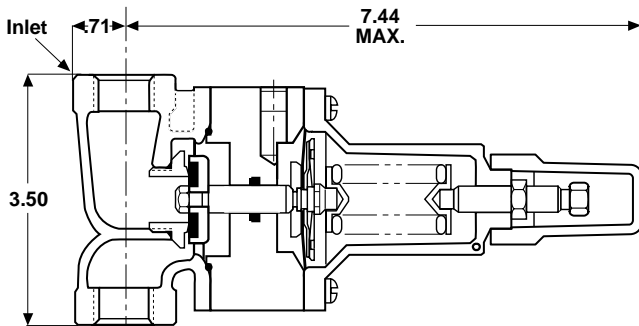
Adjustment Ranges 0 to 75 psi
 20 to 200 psi
 100 to 300 psi

CRL & 55F Range PSI	Approximate Increase For Each Clockwise Turn Of Adjusting Screw
0 to 75	8.5 psi
20 to 200	28.0 psi
100 to 300	18.0 psi

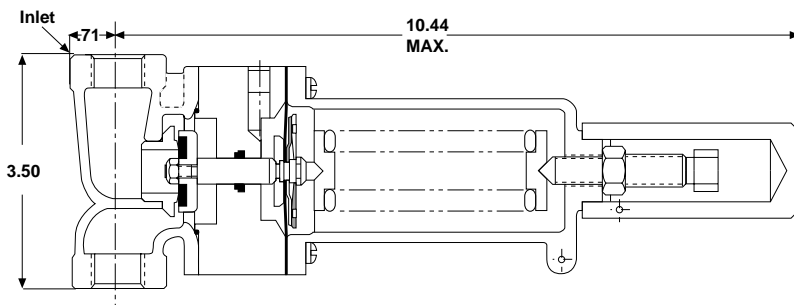
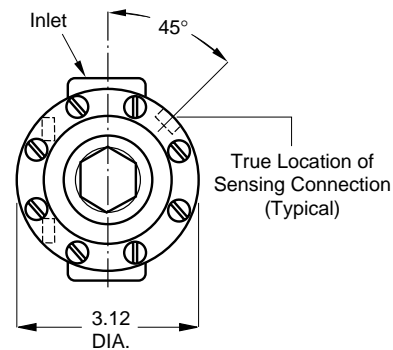
Flow Loss Chart (Full Open Valve)

Valve Size	C _v Factor	Flow of Water - Gallons Per Minute				
		5	10	15	20	30
1/2"	6	0.7	2.7	6	11	
3/4"	8.5	0.3	1.4	3.1	5.5	12.2

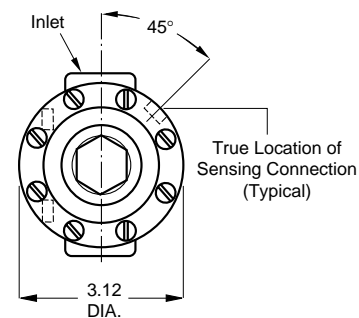
CRL Basic Valve Dimensions (In Inches)



0 to 75 and 20 to 200 psi Design



100 to 300 psi Design



When Ordering, Please Specify

1. Catalog No. CRL & 55F
2. Valve Size
3. Adjustment Range Desired
4. Optional Materials



CLA-VAL

PO Box 1325 Newport Beach CA 92659-0325
 Phone: 949-722-4800 • Fax: 949-548-5441

CLA-VAL CANADA, LTD.

4687 Christie Drive
 Beamsville, Ontario
 Canada LOR 1B4
 Phone: 905-563-4963
 Fax: 905-563-4040

©COPYRIGHT CLA-VAL 1998 Printed in USA
 Specifications subject to change without notice.

CLA-VAL SA

Chemin des Mesanges 1
 CH-1032 Romanel/
 Lausanne, Switzerland
 Phone: 41-21-643-15-55
 Fax: 41-21-643-15-50

www.cla-val.com

Represented By: